

CWR-070WR

USER Manual

- 1. Front waterproof support (According to IP65)**
- 2. Built-in speaker (Volume adjustable)**
- 3. Windows Embedded 7 PRO**

● Programs previously used in Windows CE 6.0 may have compatibility problems in WINDOWS CE 7, so please review them thoroughly before using.

COMFILE
TECHNOLOGY
COMFILE Technology, Inc.

1. Summary

CUWIN series is a high-performance industrial controller designed to conveniently configure user interface and external control. It is equipped with Windows Embedded CE7.0, an embedded OS of MS (Microsoft), so that a stable system can be configured.

Windows CE also supports the integrated development environment of MS Visual Studio 2008, so user interface and control logic can be conveniently implemented and tested. It is similar to the PC program development environment, so even general PC programmers can develop programs very easily. By supporting .Net Compact Framework 3.5, it uses the powerful and vast .Net Compact Framework Library to reduce the amount of coding during program development and shorten the development and testing period.

2. Operating Method

CUWIN series boots into the WINCE O/S environment by setting the application developer mode. After connecting the development PC and the CUWIN series with the ActiveSync program, develop the program in the same way as a general PC application using Visual Studio 2008. The program that the user wants to develop uses the .Net Compact Framework to develop the program code that runs on the .NET platform. You can develop in languages such as Visual Basic .NET and Visual C#.

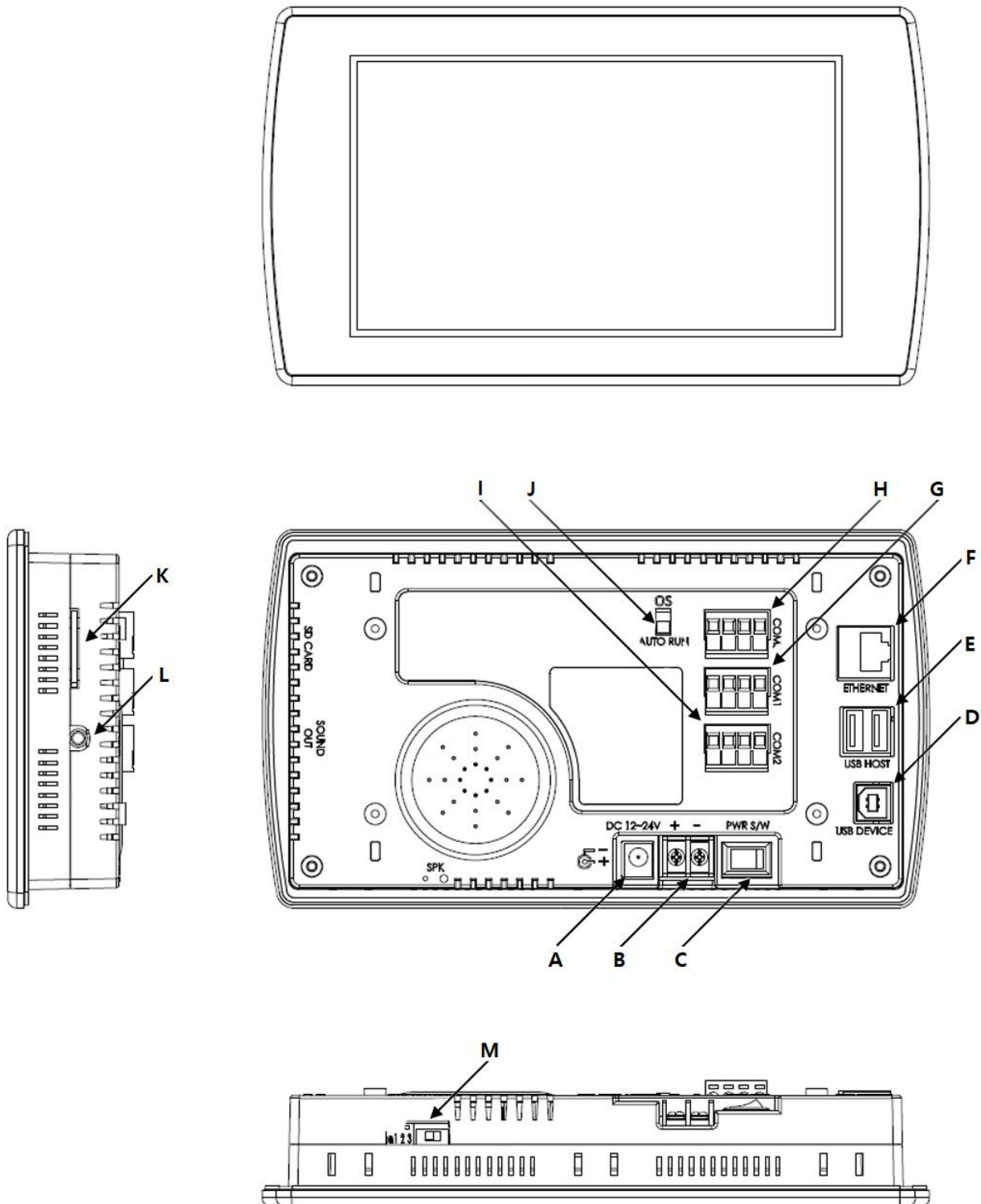
[Caution] If you are developing a native coat type program, you must install the SDK suitable for the H/W to develop the program. The developed application creates Auto Run folder on the Flash Disk of the WINCE O/S storage device and copies the program therein. Set to auto-run mode, and use it to run automatically when power is turned on/off.

3. Hardware Specification

ITEM	CWR-070WR
MCU	32Bit RISC CPU(ARM Cortex-A9 Dual, 1000MHz)
Memory	SDRAM : 512MB eMMC : 4GB
LCD	TFT-LCD(260,000 Color) 7Inch(800x480) 330cd/m ²
O/S	WINCE 7.0(Compact7) PRO version
Backlight	LED Backlight (ON/OFF Switchable)
Ethernet	10/100/1000M-bits Ethernet (1Port)
Touch	4wire resistive panel
RTC	Battery replaceable (The battery is inside and has a lifespan of about 10years.)
Audio	<0.8W Micro speaker embedded Stereo audio output(ø3.5 Audio Jack)
USB	Host 2Port
	Device 1Port
Serial	COM1 (RS232C)
	COM2 (RS485)
	COM3 (RS485)
SDCARD	Support external SD CARD(Max 32GB)
Input Power	DC12V~DC24V
Power Consumption	<6.6W (0.55A@12V)
MAX. Current	550mA
Operating Temperature	0°C~70°C
Booting Time	7 sec

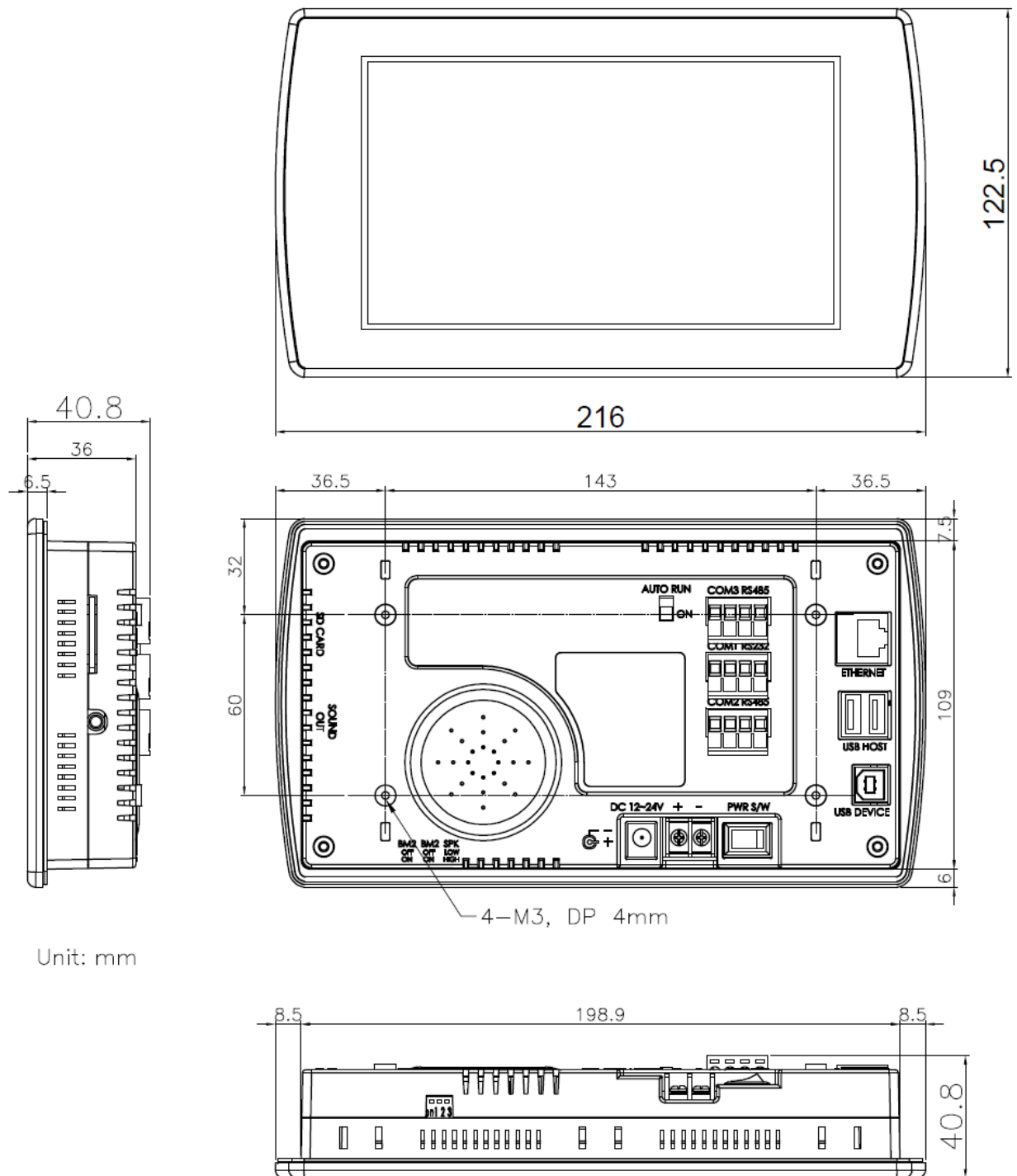
(1) The accuracy of the RTC depends on circumstances.

4. External Parts



	Name	Description
A	Power input DC-Jack	φ2.5 DC Jack Power Input Jack for adaptor
B	Power terminal	Power terminal for cables. (Connect power to only one of A and B)
C	Power S/W	Power input ON/OFF
D	USB Device	USB Device Port (USB B Type Connector) (This port is for administrator and is not used by general users.)
E	USB HOST	USB Host Port(x2)
F	Ethernet	Ethernet Port (RJ-45)
G	COM1_RS232C	COM1 RS232 Port
H	COM3_RS485	COM1 RS485 Port
I	COM2_RS485	COM3 RS485 Port
J	Auto Run S/W	Auto run switch. (If it is in the ON position, the user program starts automatically, and in the OFF position Windows CE desktop screen appears.)
K	SD Card Socket	SD Card slot
L	Audio Out	Stereo Audio Output Port (φ3.5)
M	Volume S/W	2 Step Volume Switch (Built-in speaker, this volume switch is H/W Adjust the volume by adjusting the amplification level of the amplifier. It can also be adjusted with the volume control function of Windows CE.)

5. Dimensions

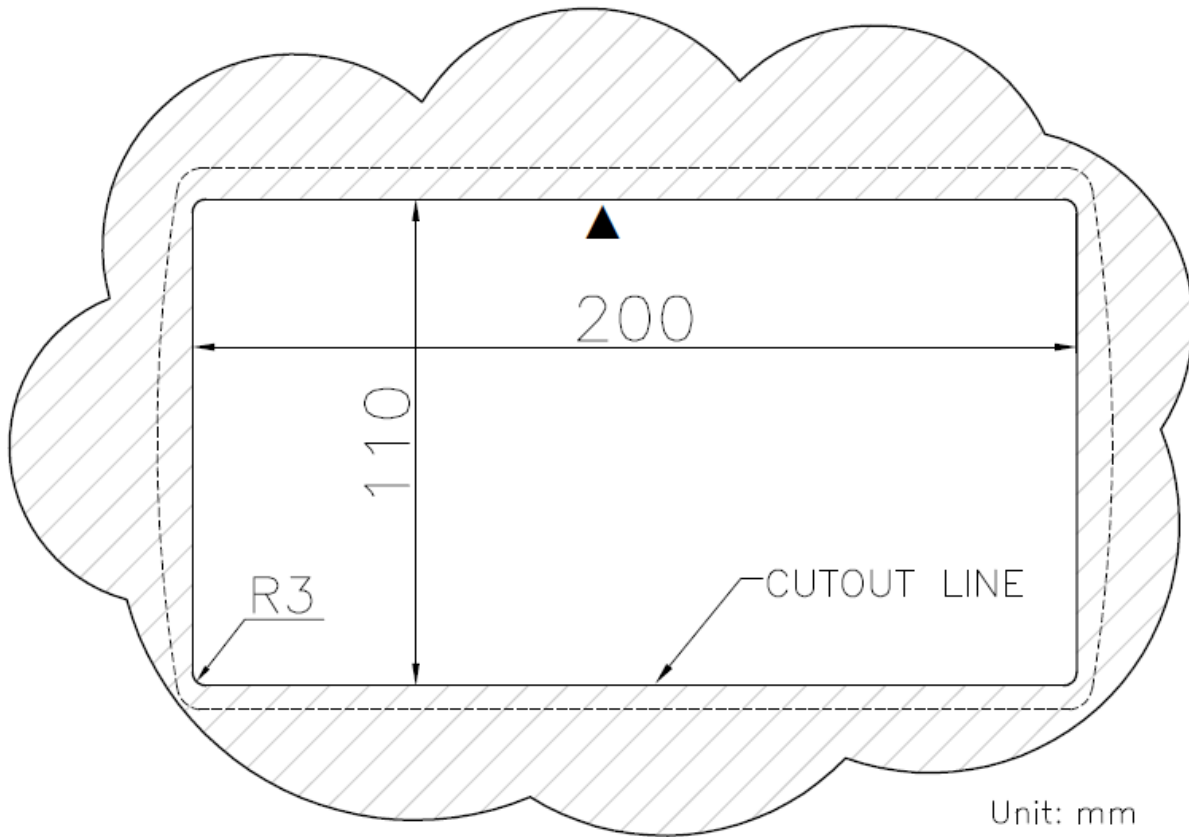


Unit: mm

OUTLINE DIMENSIONS

6. PANEL CUTOUT

Installation Requirements



PANEL CUTOUT – BACK VIEW

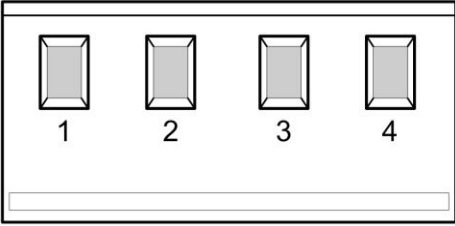
X: Panel Cutout Width, Y: Panel Cutout Height, T: Panel Thickness

Unit: mm[in.]

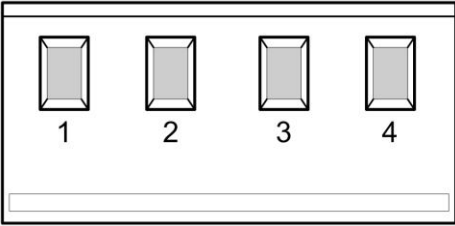
	X	Y	T
CWR-070WR	208 [8.19]	139 [5.48]	1.6 to 4.5 [0.06 to 0.18]

7. Input/Output Connectors

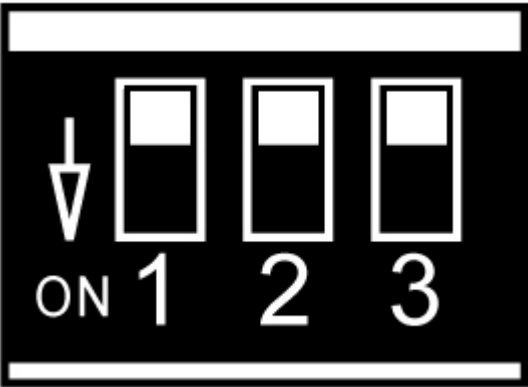
RS232C Input/Output Connectors (COM1)

Connector Type	Order	Name
	1	TX
	2	GND
	3	GND
	4	RX

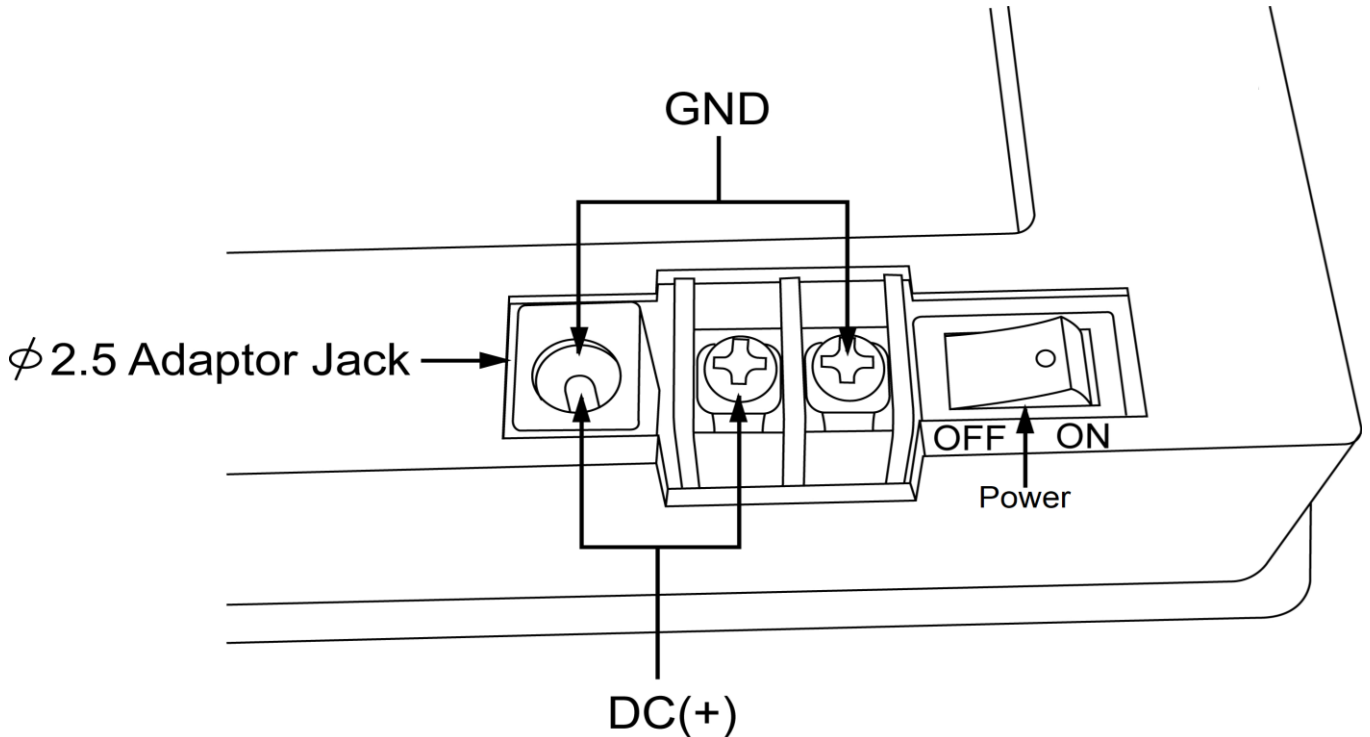
RS485 Input/Output Connectors (COM2,COM3)

Connector Type	Order	Name
	1	D+
	2	GND
	3	GND
	4	D-

Boot Mode Switch

Connector type	Item	Setting			
		1	2	3	
	Boot Mode Selection	Normal Mode	OFF	OFF	-
		Download Mode	ON	ON	-
	2 Step	Loud sound	OFF	OFF	OFF
		Low sound	OFF	OFF	ON

* Boot Device Selection switch must be turned OFF for normal booting. (Pin 1,2,3)

I Power Input Connector **Caution for wiring**

- Please make sure if every power supply is off before starting wiring.
- Please check the voltage and cables before supplying power.

8. User's Guide

This device has undergone conformity assessment for use in a business environment, and there is a risk of radio wave interference when used in a home environment.

9. Warranty Policy

■ Warranty Period

The products are warranted to be free of defects in materials and workmanship for 1 year from the date of purchase.

■ Warranty Exclusions

The warranty does not cover abrasion and is considered void if the product is opened by unauthorized person, damaged by abnormal use, heat or humidity, or used against user manual.

■ Request of Warranty Repair

If the products have defect(s) during the warranty period, the customer should inquire at the manufacturer or dispatch the products with the description to the address the manufacturer provides. If the request is appropriate, the manufacturers repairs and dispatch it to the customer.

■ Limitation of Liability

The manufacturer and distributor are not responsible for damages or breakdowns caused by direct or indirect reasons, and the maximum duty of manufacturer and distributor are limited to the total amount paid by the customer. The limitations or exclusions of warranty have priority over any other warranty expressed explicitly, implicatively, in writing, or orally.

Contact Information

Should you need any additional information or assistance about ComfilePi Series, please feel free to contact us.

Telephone

Toll-Free : (888) 9CUBLOC, (888) 928 2562

Office : (571) 322 5010

Fax : (571) 322 5011

Office Hours: Monday-Friday 9am-5:30pm EST

E-mail

Sales: sales@comfiletech.com

Technical Support: support@comfiletech.com